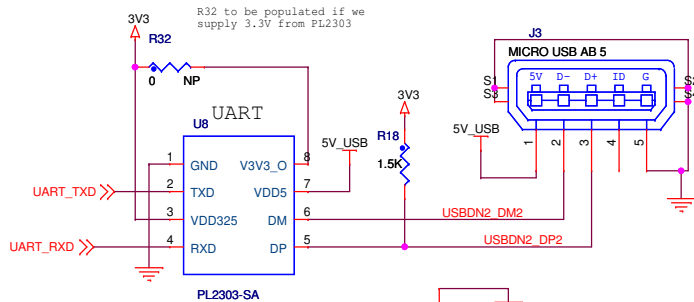
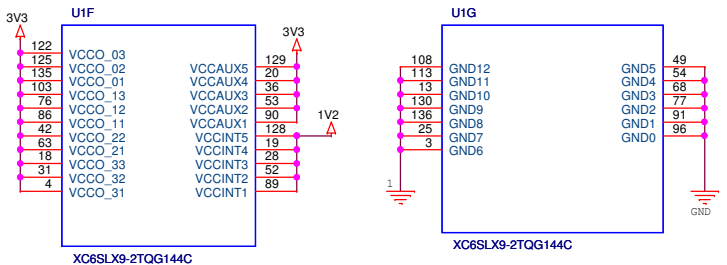
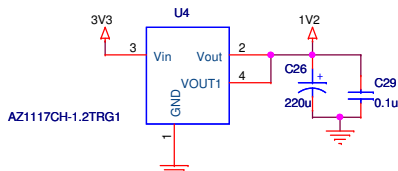
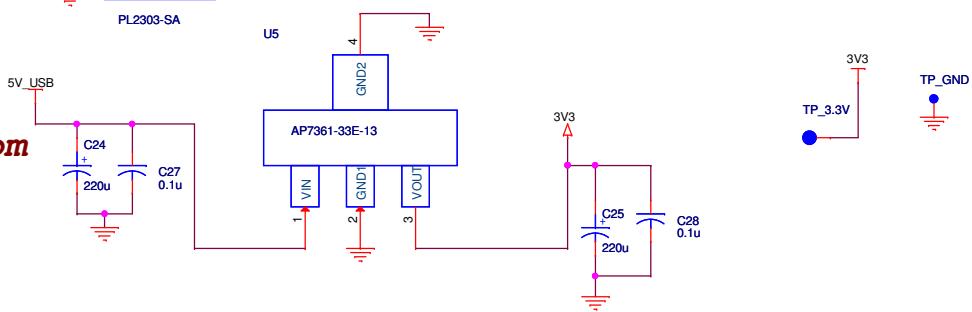
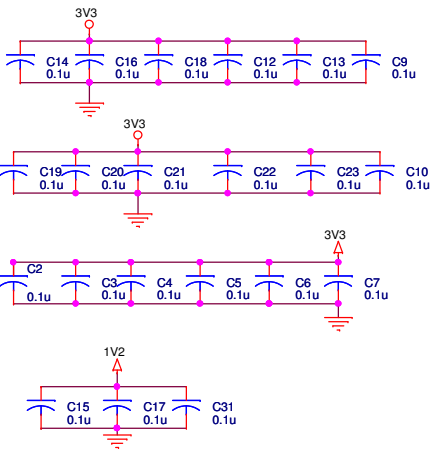


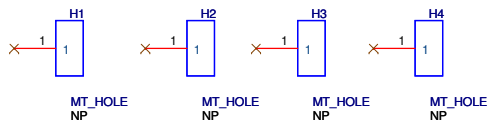
**SPARTIXED
SPARTAN6 LEARNER'S BOARD**



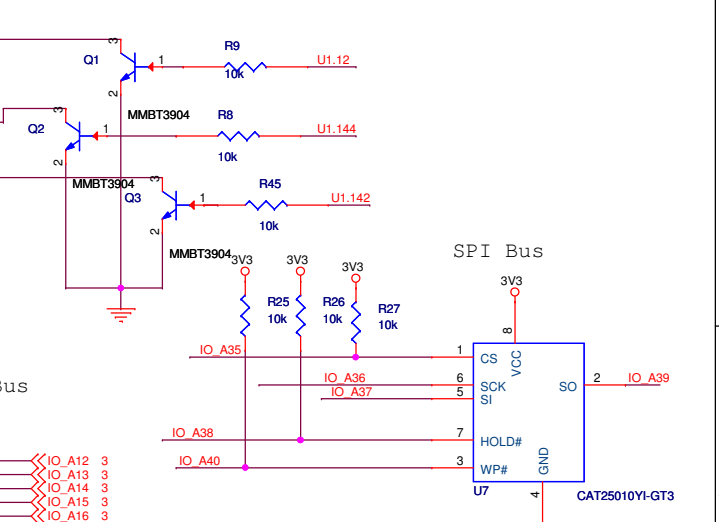
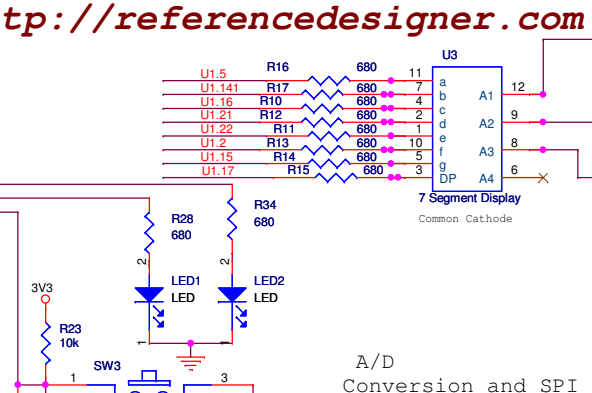
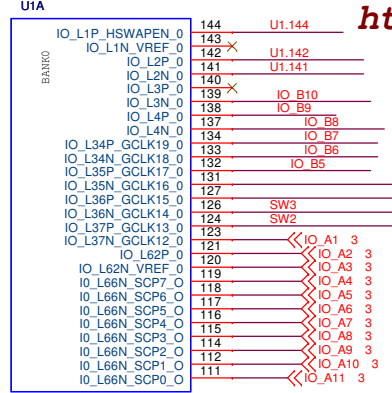
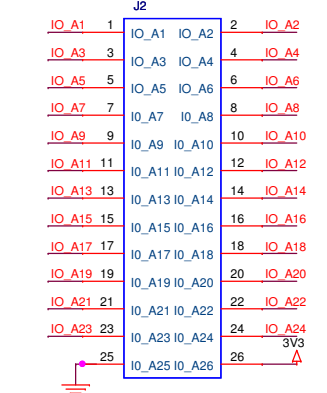
**SPARTIXED
SPARTAN6 LEARNER'S BOARD**



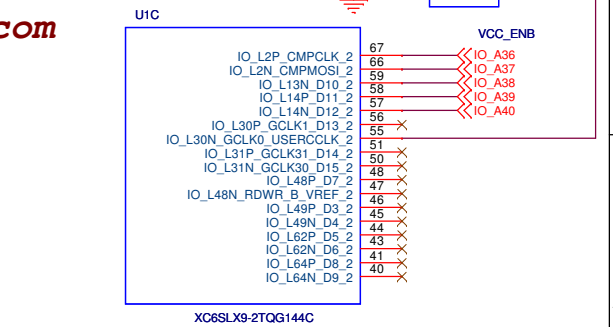
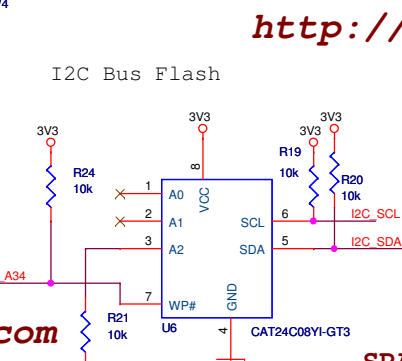
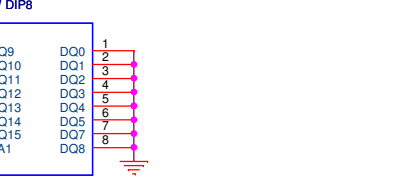
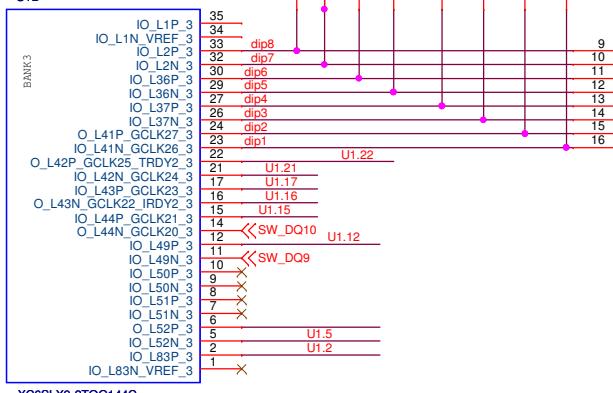
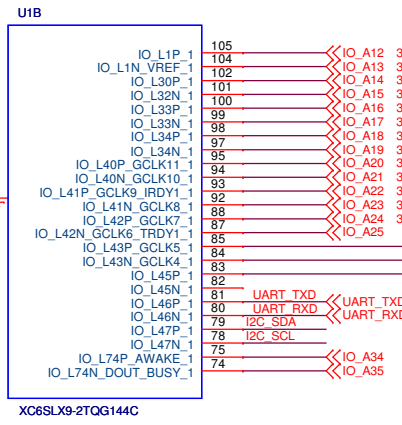
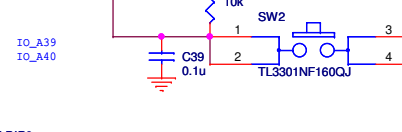
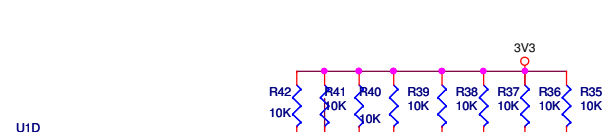
For 1A use part No.
ZLD01117G12TA



Title		
SPARTAN6 LEARNER'S BOARD		
Size B	Document Number HDW-SCH003-B	Rev B
Date:	Monday, May 02, 2016	Sheet 1 of 2



**SPARTIXED
SPARTAN6 LEARNER'S BOARD**



**SPARTIXED
SPARTAN6 LEARNER'S BOARD**

**SPARTIXED
SPARTAN6 LEARNER'S BOARD**

Title		
SPARTAN6 LEARNER'S BOARD		
Size	Document Number	Rev
B	HDW-SCH003-B	B
Date:	Monday, May 02, 2016	Sheet 2 of 2